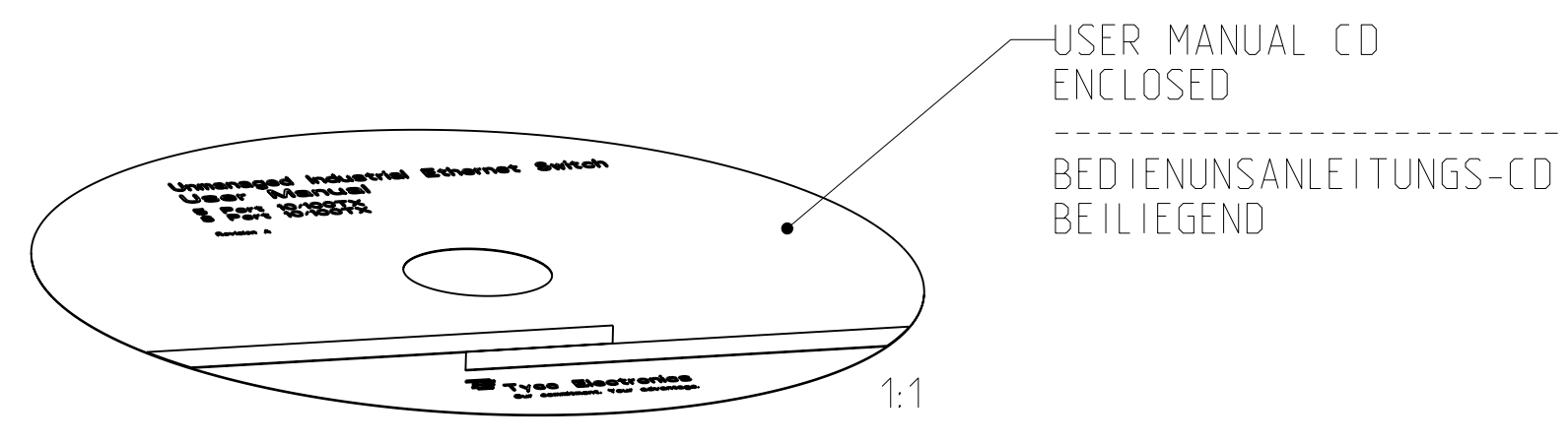
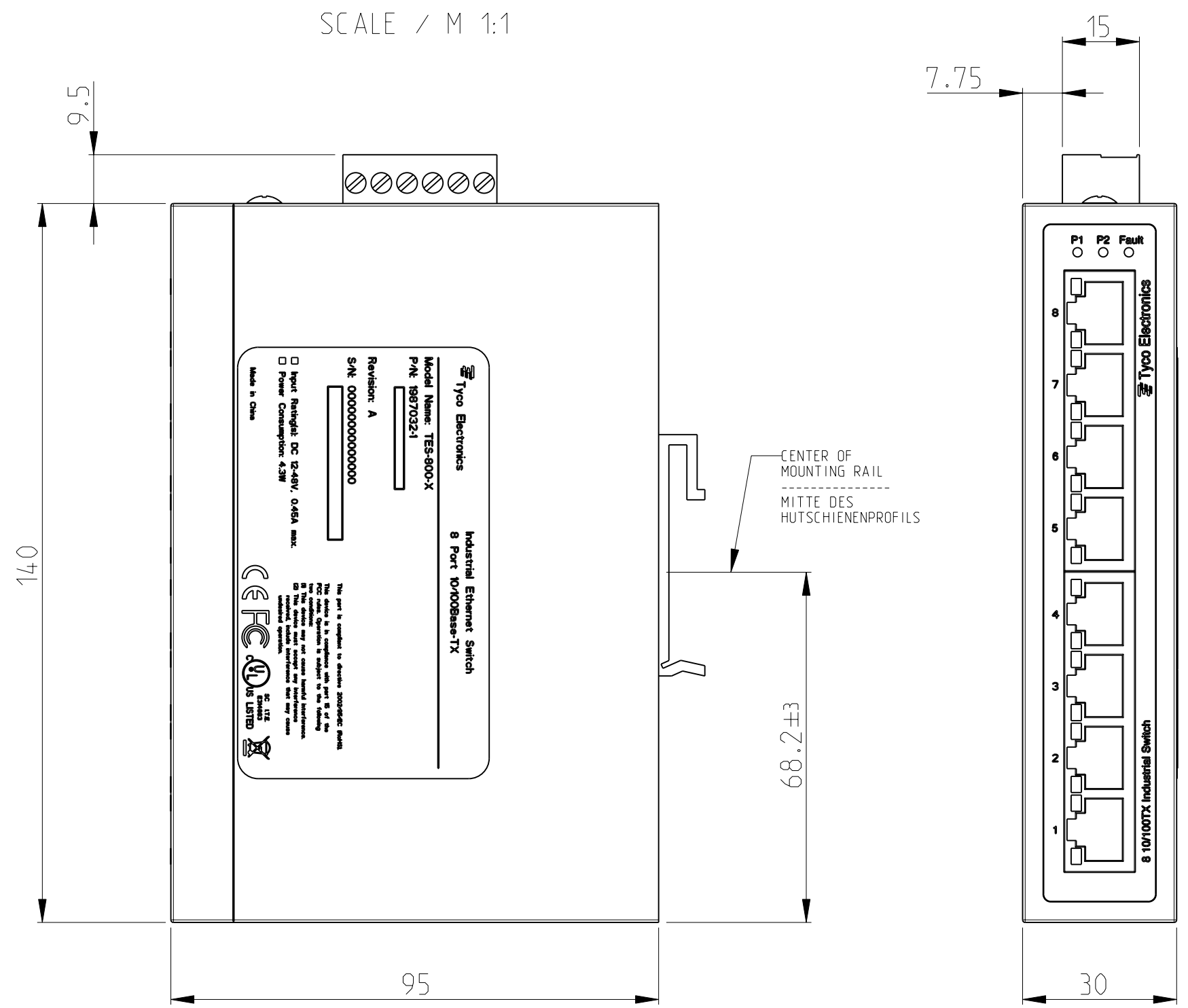


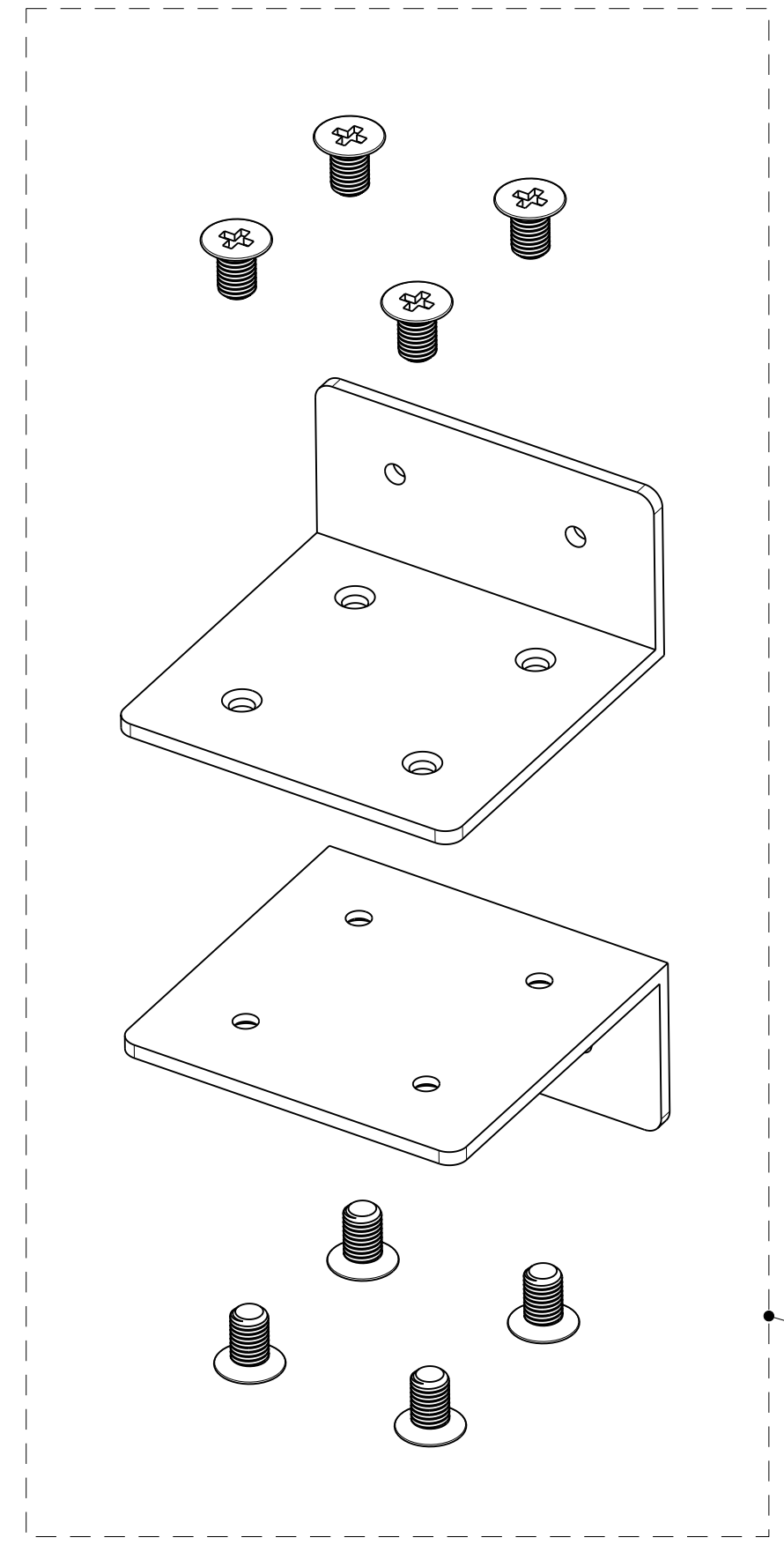
LOC	DIST	REV	DATE	BY	CHKD	APVD
A1	-	1	05 JUN 2007	STO	RK	
REVISIONS ANDERUNGEN DESCRIPTION BESCHREIBUNG						
PROJECT NO.	EGGMP06058	A1	NEW DRAWING PUBLISHED	05 JUN 2007	STO	RK
		A2	SEE PCN E-07-014454	18 JUN 2007	BB	RK
		A3	DRAWING CHANGED PER PCN E-07-015934	23 JUL 2007	STO	R.K.
		A4	REV. PER PCN E-08-009570	21 APR 2008	STO	R.K.

1987032-1 AS SHOWN

SCALE / M 1:1

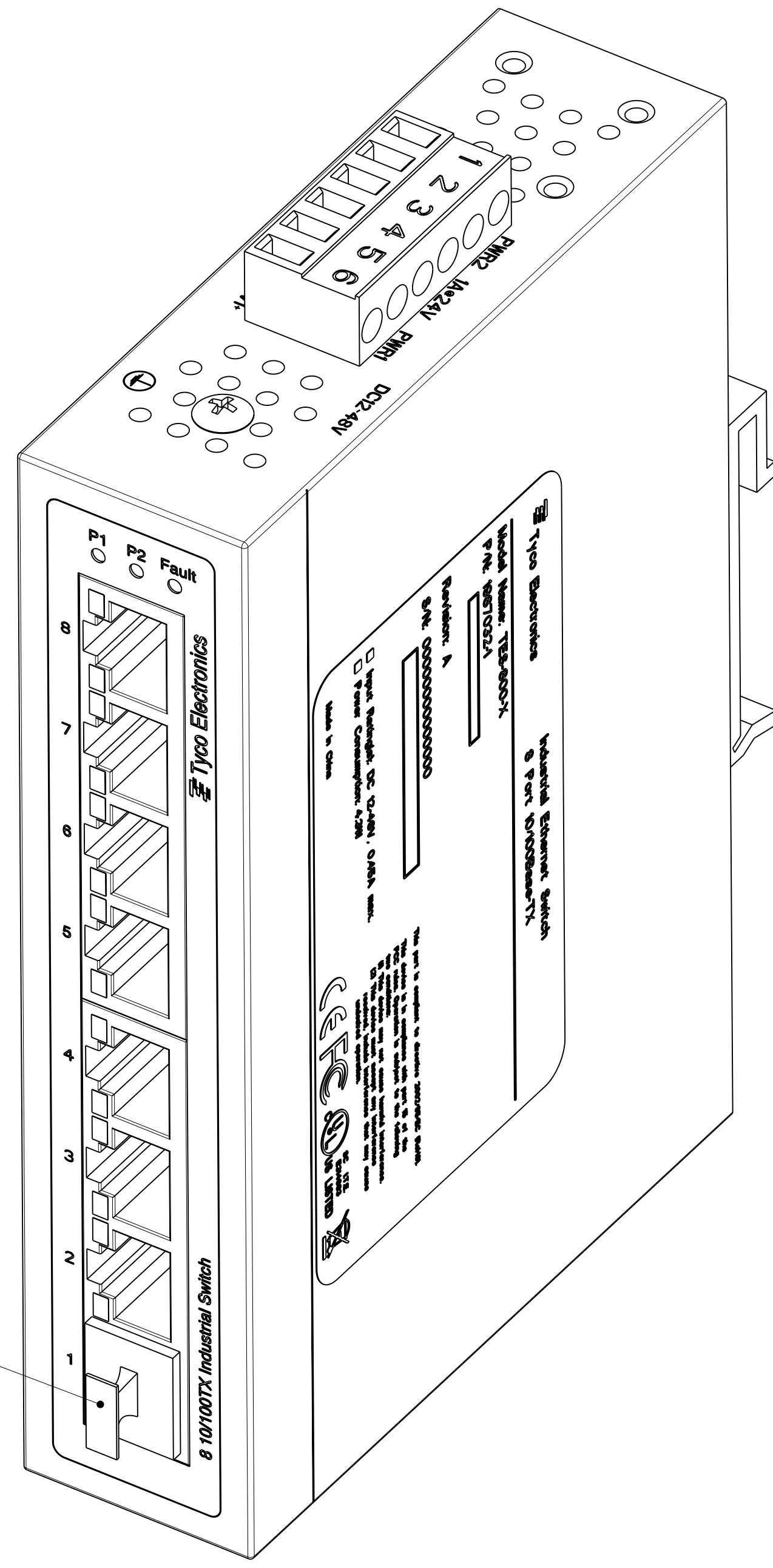


HARDWARE SPECIFICATION		
1	ETHERNET STANDARD COMPLIANCE	IEEE 802.3 - 10BASE-T IEEE 802.3u - 100BASE-TX IEEE 802.3x - FLOW CONTROL AND BACK PRESSURE
2	SWITCH ARCHITECTURE	STORE-AND-FORWARD SWITCHING ARCHITECTURE BACK-PLANE (SWITCHING FABRIC): 1.6Gbps PACKET THROUGHPUT ABILITY (FULL DUPLEX): 2.38Mbps @ 64bytes
3	TRANSFER RATE	10BASE-T PORT: 14 880pps 100BASE-TX PORT: 148 800pps
4	MAC ADDRESS	1K MAC ADDRESS TABLE
5	ETHERNET PORTS	8x 10/100TX RJ-45 AUTO MDI/MDI-X SUPPORT
6	LED	PER UNIT: POWER 1 (GREEN), POWER 2 (GREEN), FAULT (RED) PER PORT: LINK/ACTIVE (GREEN), FULL DUPLEX/COLLISION (YELLOW)
7	POWER SUPPLY	WIDE RANGE SUPPLY: 12 TO 48 V DC REVERSE POLARITY PROTECTED OVERLOAD CURRENT PROTECTED (RE-SETTABLE FUSE)
8	POWER CONSUMPTION	4.3 WATTS



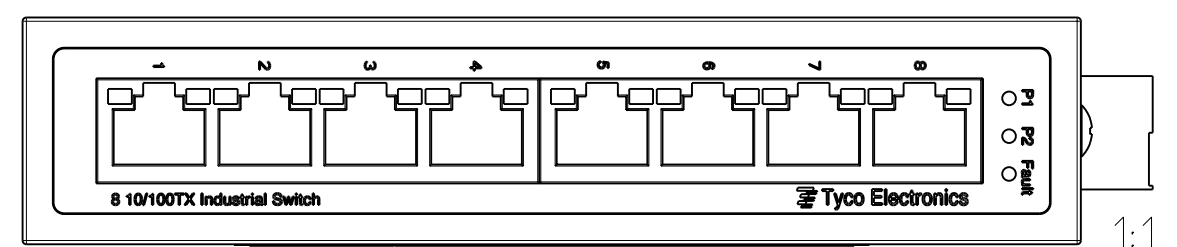
WALL MOUNTING KIT  
 ENCLOSED  
 W ANDMONTAGE-BAUSATZ  
 BEILIEGEND

DUST COVER  
 FOR RJ45 PORT  
 8 x ENCLOSED  
 STAUBSCHUTZKAPPE  
 FUER RJ45-EINGANG  
 8 x BEILIEGEND

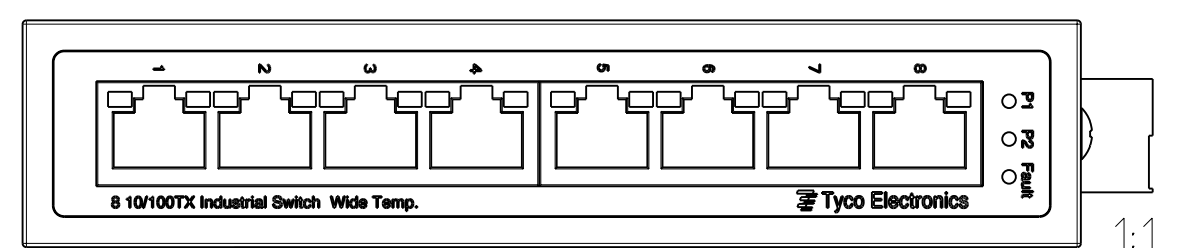


1987032-1 AS SHOWN

FRONT PANEL 1987032-1



FRONT PANEL 1987032-2



TYCO ELECTRONICS ORDER NO. BESTELL-NR.		
1987032-2	1987032-1	
1	-	2
-	1	1
QUANTITY STUECK	ITEM NO. POS.	DESCRIPTION BENENNUNG
		8 10/100TX SWITCH TES-800-XE WIDE OPERATING TEMPERATURE RANGE -40 °C TO 75 °C
		8 10/100TX SWITCH TES-800-X STANDARD OPERATING TEMPERATURE RANGE -10 °C TO 60 °C

DIMENSIONS MASSENEIEN: (mm)	TOLERANCES, UNLESS OTHERWISE SPECIFIED: ALLGEMEINTOLERANZEN	DWN S.STOLZ 05 JUN 2007	Tyco Electronics AMP GmbH 64625 Bensheim (Germany)
MATERIAL -	WEIGHT GEWICHT 440 g	NAME P. BRAEMER 05 JUN 2007	INDUSTRIAL ETHERNET SWITCH TES-800-X(E) 8 PORT 10/100BASE-TX
CUSTOMER DRAWING	/KUNDENZEICHNUNG	DRAWING NO. ZEICHNUNGS-NR. A1 00779	SCALE MASSSTAB 2:1
		SHEET BLATT 1 OF VON 1	REV A4